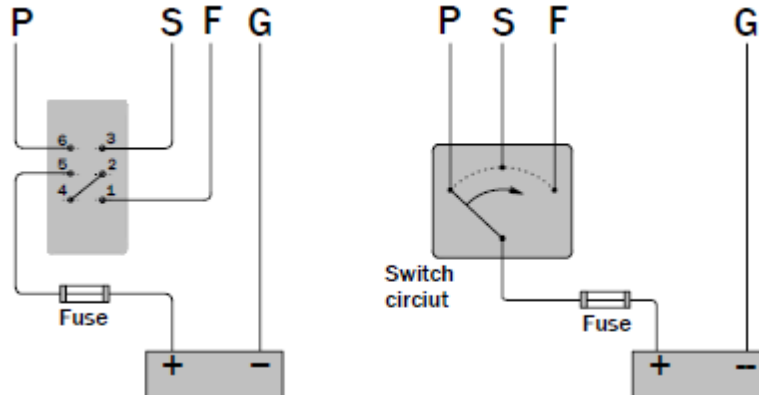
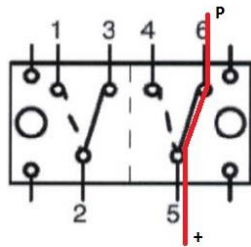


ONGARO WIPER PRODUCTS

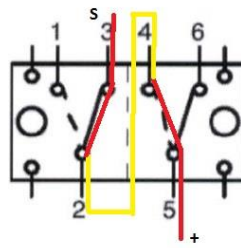
40400 Switch – This switch is a 2-Pole, 3-Position switch, which is factory configured to function as a 1-Pole, 3-Position switch. It has NO LED light.



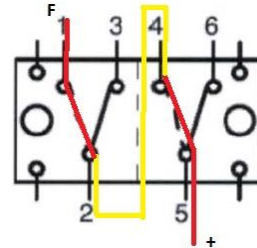
Circuit Detail Inside Switch:



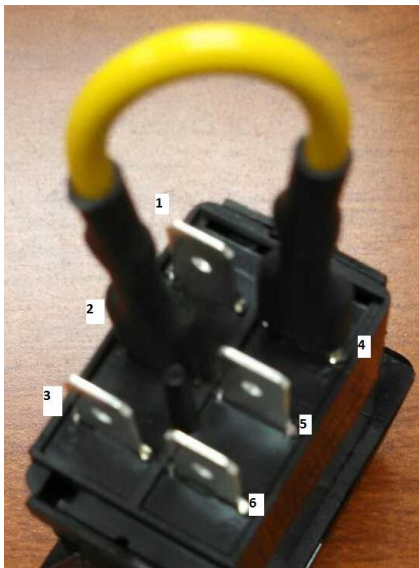
POSITION 1 - PARK



POSITION 2 - SLOW



POSITION 3 - FAST



40400 SWITCH With Factory Installed Yellow Jumper

NOTE: On Motor, Typically Wire 1 = Park, Wire 2 = Slow, Wire 3 = Fast, and Wire "G" = Ground