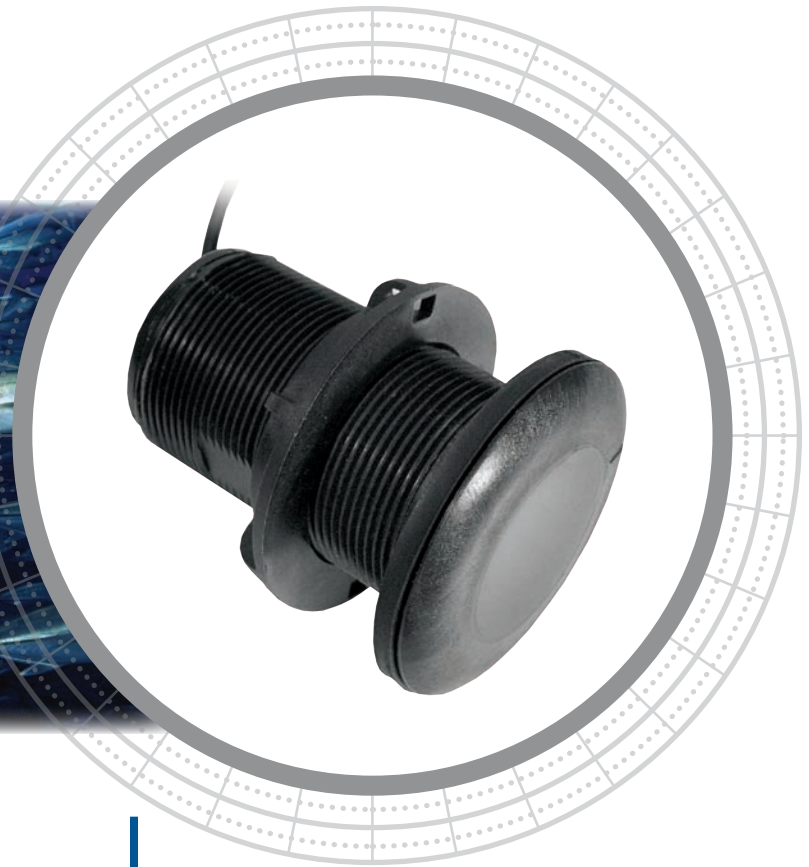


P19 B619



Minimize Your Drag

The P19 and B619 models have been the standard in low-profile models for many years. Their large sensitive ceramics allow deep echosounding up to 206 m (700'). These nearly flush units minimize drag as only 5 mm (2/10") of the housing extends outside of the hull. The plastic P19 and bronze B619 provide a vertical beam without a fairing. Inside the housing, the ceramic element is tilted to provide built-in deadrise compensation. The resulting vertical beam provides excellent echo returns for more accurate depth readings.



Bronze housing—B619

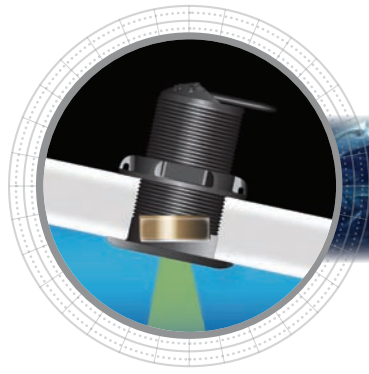
Tilted Element™ Thru-Hull 375 W

Applications

- Cruising powerboats and sailboats
- Sailboats

Features

- Depth only or Depth and temperature
- Fixed 20° tilted versions for 16° to 24° hull deadrise
- Fixed 12° tilted versions for 8° to 15° hull deadrise
- Fixed 0° tilted versions for 0° to 7° hull deadrise
- Right angle cable exit offers low headroom and protection when transducer is stepped on
- Included rubber washer allows tightening of the hull nut to irregular hull surfaces
- Housings are ABYC H-27 compliant
- Optional temperature sensor
- Plastic or bronze housings available
- Boat Size: Up to 9 m (30')



The high-performance ceramic elements are tilted inside the housing, which compensates for your boat's deadrise. This aims the beam straight toward the bottom, resulting in stronger echo returns and more accurate depth readings.

P19, B619



Technical Information

200 kHz-U	
Number of Elements and Configuration	○
Beamwidth (@-3 dB)	11°
RMS Power (W)	375 W
TVR	164 dB
RVR	-185 dB
FOM	-22 dB
Q	22
Impedance	510 Ω

MAXIMUM DEPTH RANGE	
200 kHz	
Up to 206 m	
(Up to 700')	

BEAM DIAMETER VS DEPTH	
Depth	200 kHz
15 m (50')	3 m (10')
61 m (200')	12 m (39')
122 m (400')	23 m (77')
213 m (700')	41 m (135')

SPECIFICATIONS	
Weight: Plastic—0.5 kg (1.1 lb) Bronze—0.9 kg (2.0 lb)	
Hull Deadrise: Up to 24°	
Acoustic Window: Urethane	
Hole Diameter: 51 mm (2")	

DIMENSIONS

