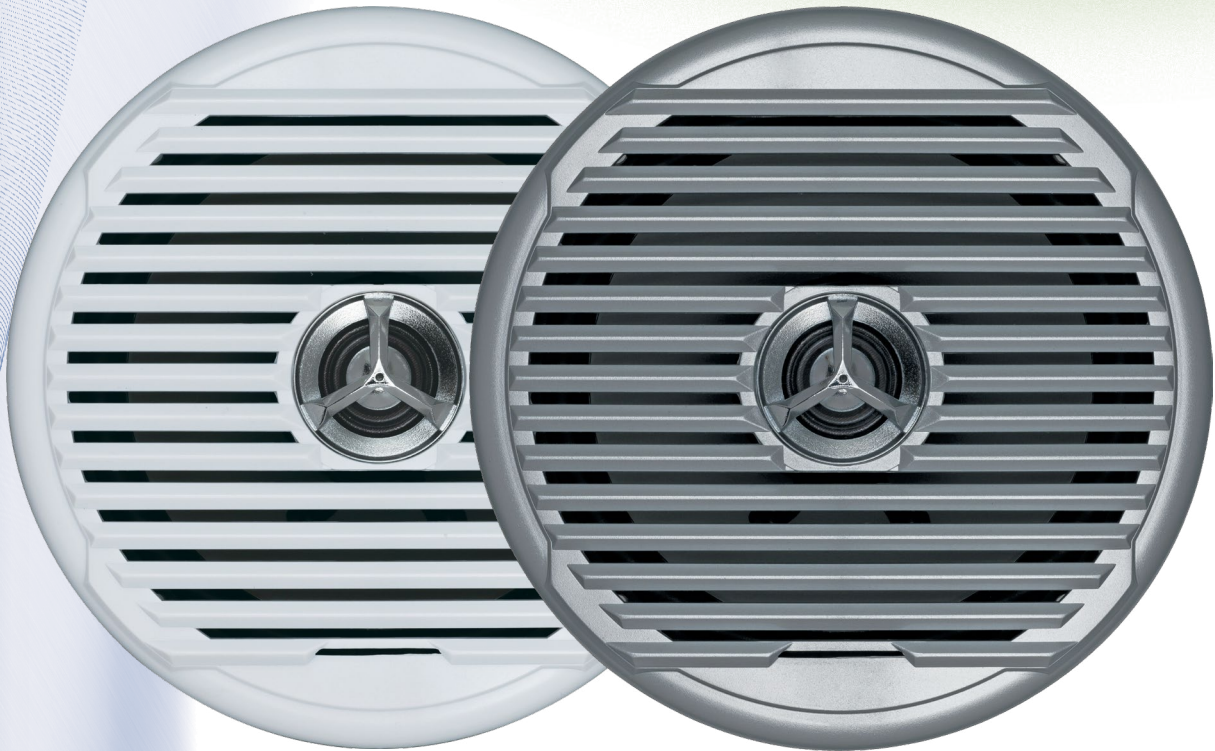




6.5" Coaxial Waterproof Speaker

# MSX65R



## FEATURES:

- 150 watts max
- 65 HZ – 20 KHZ usable frequency response
- Rubber suspension and surround
- Poly-propylene woofer
- Dome/silk tweeter
- 1-inch voice coil
- 11 oz magnet
- 4 ohms impedance
- Flush mount
- 2.3-inch mounting depth
- Magnetically shielded
- UV resistant (ASTM D4329)
- Corosion resistant (ASTM B117)
- Aavailable in white or silver

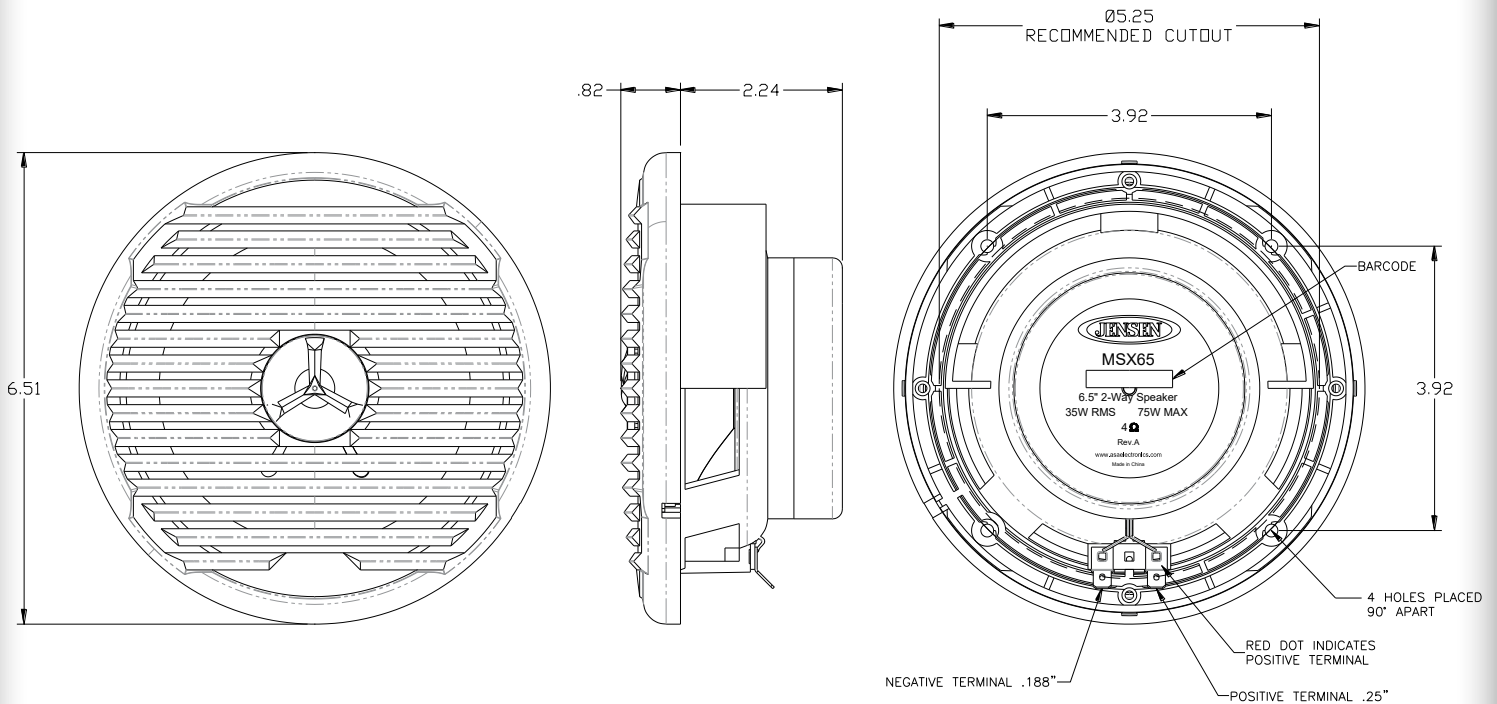
DESIGNED TO MOVE [YOU]<sup>TM</sup>

**asa**  
ELECTRONICS™  
2602 Marina Drive • Elkhart, IN 46514  
[www.asaelectronics.com](http://www.asaelectronics.com)



# 6.5" Coaxial Waterproof Speaker

# MSX65R



## Specifications:

### General Specifications:

Woofers Size	6.5"	
Woofers Material	Poly-propylene	
Tweeter Type	Dome	
Tweeter Material	Silk	
Voice Coil Size	1"	
Magnet Weight	11oz	
Mounting Depth	2.3"	
Hole Size	5.25"	
Impedance	4 Ω	
Temperature Range	-30°C - 70°C	-22°F - 158°F
Max RH	100%	
Terminal Size	Positive - 1/4"	Negative - 3/16"

### Performance Specifications:

Frequency Response	65 Hz - 20 KHz
RMS Power Range	35W
Max Power	75W
SPL @ 1 W/ 1 M	88 dB
Resonant Frequency	75 Hz