



INSTALLATION INSTRUCTIONS

Be sure you have the right model of Happy Troller® for your boat.

Large size fits inboard/outboard and outboard motors 50 hp and larger.

Small size is for 20–50 hp.

For boats under 20 hp, see Lil' Fella™, product #462.

Step 1: Remove the four 1/4" (64 mm) mounting bolts, washers, and nuts from package and retain for installation.

Step 2: Pull control handle and allow troll plate to move down into troll position. **CAUTION: Troller is spring loaded; don't pinch your fingers.**

Step 3: Locate the anti-cavitation plate on your motor or outdrive. It's the wide flange directly above the propeller. Mount the Happy Troller on the underside when possible, but with some designs it must go on top.

Step 4: With the troller plate locked in the down position, place Troller on the anti-cavitation plate and move as far forward as possible without causing interference with the Troller release mechanism. Prior to drilling, pull cord making sure the locking bar moves all the way forward to the end of its slots. Square up the Troller and use two small "C" clamps to hold it securely in place for drilling. Note: Use the two forward mounting holes and whichever two of the four rear holes that will work best on your application. On Volvo outdrives with hollow anti-cavitation plates, longer 1/4" x 2" (.65 x 5.1 cm) bolts than provided will be needed. **CAUTION: Locate Troller so that rubber exhaust flap on older Volvos has clearance to fully open with the Troller locked in the down position.**

Step 5: Using a 1/4" (6.5 mm) drill bit, and using punched hole as a guide and keeping bit square, drill straight through the anti-cavitation plate. Before proceeding to the next hole, insert a 1/4" (6.5 mm) bolt from the mount plate side and lightly tighten the nut and washer on the anti-cavitation plate side. Repeat this procedure for the three remaining holes. Tighten all four bolts, but **be careful not to over-tighten.** The nylock nuts are self-locking and will not work loose. If the hole pattern in the Troller does not work for your anti-cavitation plate, feel free to drill new holes in the Happy Troller to obtain the best possible fit. **Do not attempt to modify your anti-cavitation plate.**

Step 6: Uncoil Troller cord and tie off securely in a convenient location, preferably in the center of the stern of your boat. **Leave enough slack in the cord to permit full turn without accidental operation of the Troller, but tie short enough to prevent the cord from getting caught in the propeller.**

OPERATING INSTRUCTIONS

Always lubricate moving parts before each day's use.

Step 1: We recommend keeping your Troller in the down position for storage and trailering.

Step 2: Before launching your boat, make certain the Happy Troller is in the up position. To accomplish this, pull the control lever forward with one hand and lift up the troll plate with the other hand, release the locking bar as you lift up the troll plate, allowing it to "lock" in position. **After launching, visually check to make sure the Troller is up before getting underway.**

Step 3: Ready to troll?

(a). Bring boat to a full stop.

(b). Place motor in neutral.

(c). Pull control cord and hold for a few seconds while the springs move troll plate to the down position, then release.

(d). Shift to forward gear and slowly adjust throttle for proper trolling speed. **Damage will occur if sudden throttle is applied or engine is operated over 1200 RPM.**

Step 4: Finished trolling?

(a). Reduce speed to dead idle.

(b). While still in forward gear, pull control cord. You should feel a sudden movement forward as the troll plate is released.

(c). Stop and visually check to make sure the troll plate is locked in the up position.

(d). Slowly proceed to cruising speed. If drag is felt, stop immediately and check Troller position.

Be sure to carefully follow these instructions. Neither the manufacturer or re-seller are responsible for the correction of any damage incurred to the boat, engine, anti-cavitation plate, lower drive, propeller, or the Troller. **The trolling plate is designed to bend to prevent damage to the anti-cavitation plate if the recommended engine RPM is exceeded.**

Save These Instructions

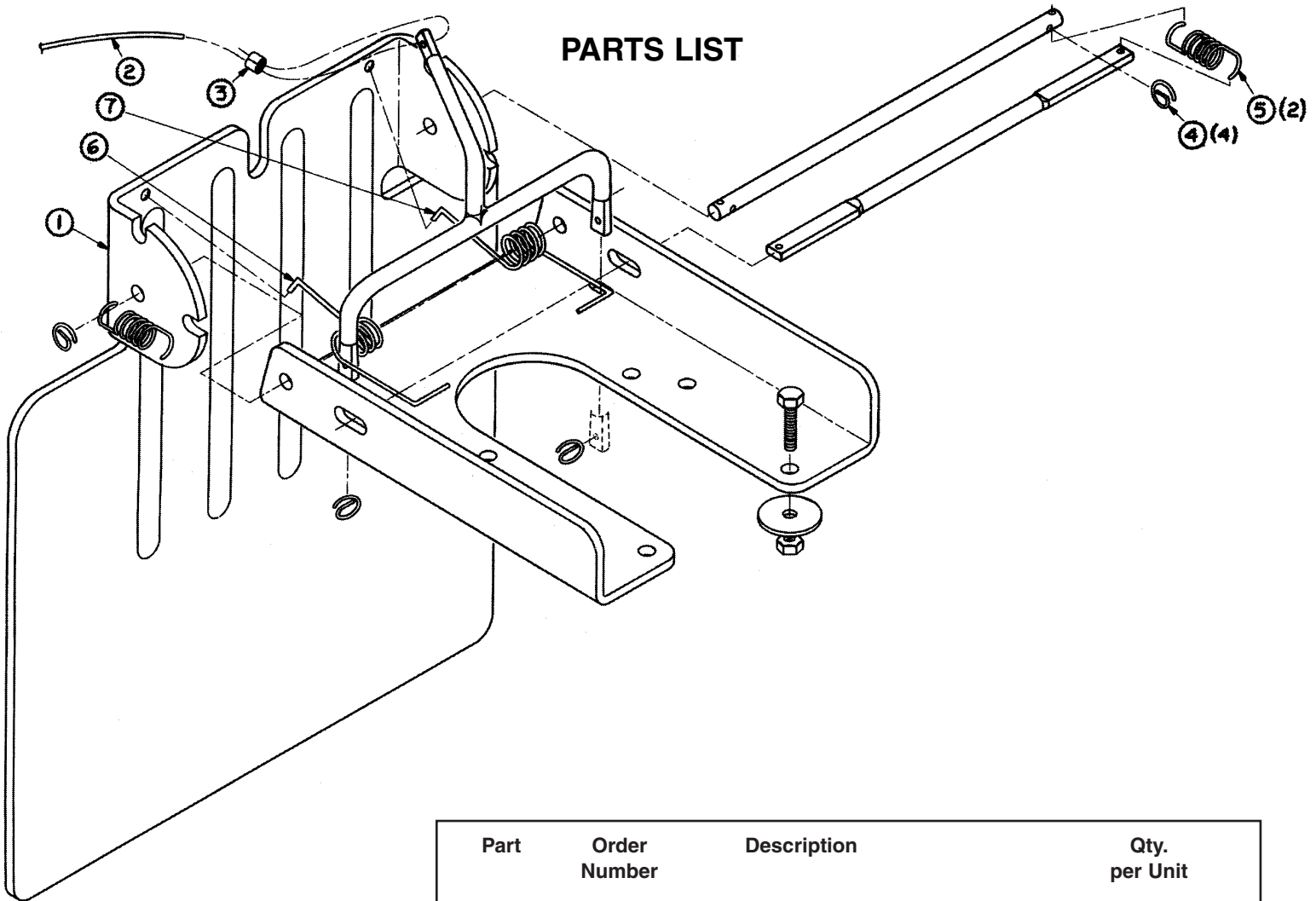
ONE-YEAR WARRANTY

We warrant our products to be free of defects in material and workmanship for one year from the date of original purchase. Write for full warranty details.

HAPPY TROLLER®

For the Fisherman who thinks he has everything!

#460 LARGE
#461 SMALL



PARTS LIST

Happy Troller® replacement parts may be available through your local dealer. If not, you may order directly from Davis Instruments Corporation.

Part	Order Number	Description	Qty. per Unit
1	R460A	Backplate for large Troller, anodized aluminum	1
	R461A	Backplate for small Troller, anodized aluminum	1
2, 3		Control Cord and Swedge	} Happy Troller® Parts Kit, product #468
4		Ring Pins, stainless steel (4)	
5		Locking Bar Springs, stainless steel (2)	
6, 7		Lowering Springs, stainless steel (2)	

Davis Instruments

3465 Diablo Avenue, Hayward, CA 94545, U.S.A.
Phone (510) 732-9229 • Fax (510) 732-9188
info@davisnet.com

For information about our other fine products, visit www.davisnet.com