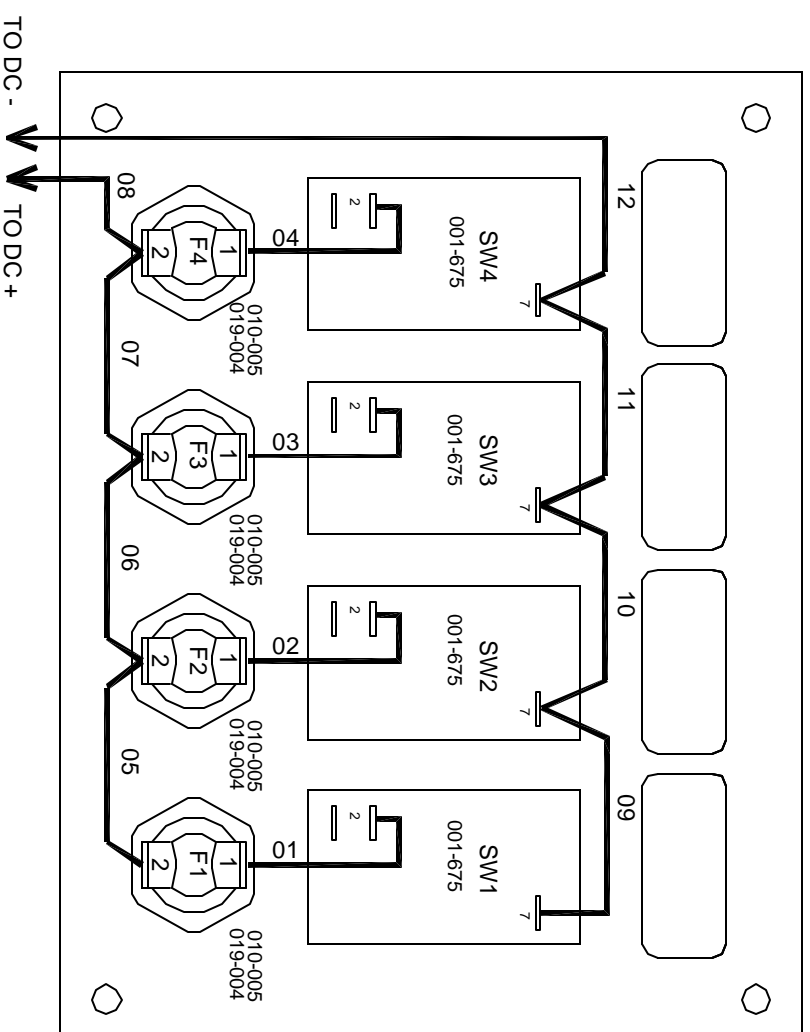


R E V I S I O N S			
REV	DESCRIPTION	ECN	BY DATE
2	ADDED SEAL TO SWITCHES	2004234	TG 10/28/04
3	REMOVED WIRE LEGS FROM PANEL AND CREATED AS NEW P/N	2005178	KP 7/12/05



EXCLUSIVE PROPERTY OF PANELTRONICS, INC.  
 NOT FOR RELEASE WITHOUT PROPER WRITTEN  
 AUTHORIZATION THIS DOCUMENT DISCLOSES  
 INFORMATION WHICH PANELTRONICS INCORPORATED  
 HAS PROPRIETARY RIGHTS

NOTES:  
 USE LOW PROFILE FUSE HOLDER  
 WIRES: 220-158  
 MATERIAL:

**PANELTRONICS** Paneltronics, Inc.  
 11960 N.W. 87th Court  
 Hialeah Gardens, FL 33018  
 INCORPORATED

REAR VIEW  
 PNL, DC FOUR ROCKER SW PNL

DRAWN BY:		DATE:		CUSTOMER:	
TG		11/16/00		PANELTRONICS	
SHEET:		SCALE:		SERIES/MODEL:	
2 OF 2		1:1		CAT	
SIZE:		DRAWING #:		REV:	
A		9960011		3	