

**NEW**

SALES SHEET

# DUAL USB CHARGERS

## CONVENIENTLY CHARGE POPULAR USB-POWERED MOBILE DEVICES

**Protective cap with tether keeps dust and spray from shortening the life of the charger. Made with materials which ensure a solid contact and low voltage drop.**

### Dual USB Charger Plug - 1017

Easy to use in common 12V DC sockets found in boats, cars, and recreational vehicles

### Dual USB Charger Socket - 1016

Easy to install in existing 12V DC socket hole providing convenient access for charging mobile devices

- Compatible with popular mobile devices
- Protective cap
- Protected from overheating



1017



1016

# DUAL USB CHARGERS

## Specifications

### Dual USB Charger Socket

USB	2.0
Input Voltage	12V DC
Output Voltage	5V DC +/-5%
Max. Output Current	2.1A DC (total)
Cut Out Dimensions	1-3/16" Dia. (30 mm)

Regulatory  
FCC Part 15: Subpart B Compliant



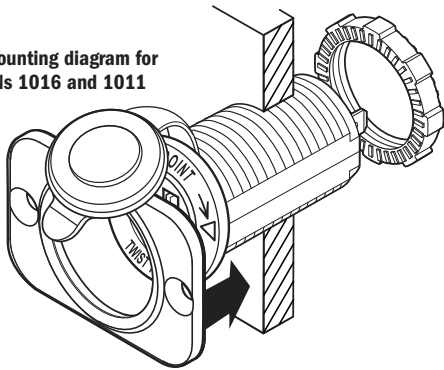
### Dual USB Charger Plug

USB	2.0
Input Voltage	12V DC
Output Voltage	5V DC +/-5%
Max. Output Current	2.1A DC (total)

Regulatory  
FCC Part 15: Subpart B Compliant



Mounting diagram for  
PNs 1016 and 1011



8346050  
12V DC Accessories - Micro Merchandising Plan

Specifications subject to change.  
See [www.bluesea.com](http://www.bluesea.com) for additional information and specifications.

980012400 Rev.001

# SOCKET-PLUG PRODUCT LINE

Product	PN	Voltage Max. Input	Amperage Max. Output	Amperage Max. Operating	Weight lb (kg)
 Dual USB Charger Socket	1016	12V DC	2.1A DC	2.1A DC	0.20 (0.09)
 Dual USB Charger Plug	1017	12V DC	2.1A DC	2.1A DC	0.08 (0.04)
 Plug and Socket Set	1015	12V DC	-	Socket 15A DC Plug 10A DC	0.30 (0.14)
 Socket	1011	12V DC	-	15A DC	0.10 (0.05)
 Plug	1010	12V DC	-	10A DC	0.08 (0.04)
 Single Plug with Single Socket Extension	1012	12V DC	-	10A DC	0.44 (0.20)
 Single Plug with Dual Socket Extension	1013	12V DC	-	10A DC	0.50 (0.23)
 Mounting bracket for PN 1011 Socket	1014	-	-	-	0.07 (0.03)



425 Sequoia Drive  
Bellingham, WA 98226 USA  
p 360.738.8230  
p 800.222.7617 USA and Canada Customer Service  
f 360.734.4195

[conductor@bluesea.com](mailto:conductor@bluesea.com)  
[www.bluesea.com](http://www.bluesea.com)