



**extreme environment lighting**

**Capri2**

SKU: 101100

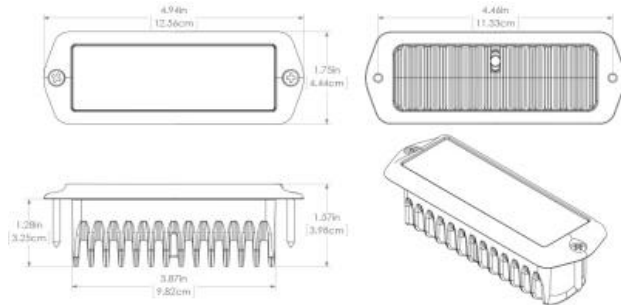
Color Output: White Dimming, Red Dimming

Finish: White

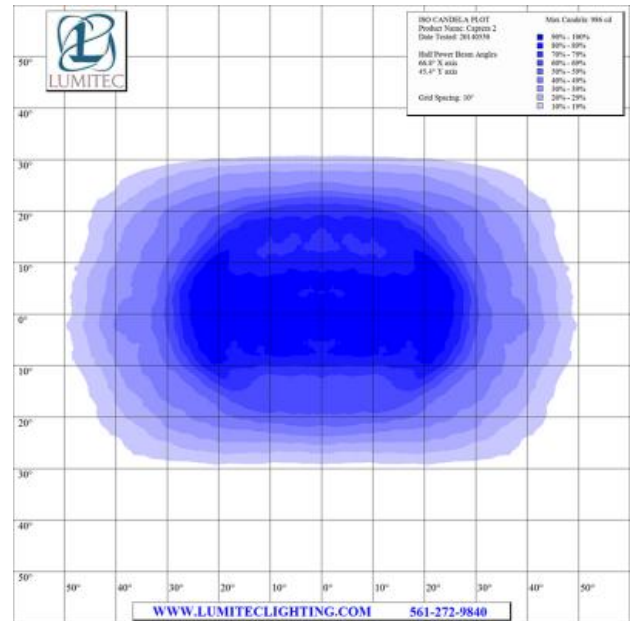


What do you do to improve the industry's best selling LED flood light? Add features, improve the beam pattern, and increase the output! Lumitec's Capri2 flood lights do just that. New two-color technology provides amazing white output with elegant blue and night vision-preserving red. Our exclusive DeckSweep® technology puts the light where you need it most, providing for up to twice the useable light of competitors. Fully sealed and, as with all Lumitec products, proudly designed and manufactured in the USA.

- Voltage: 10 - 30vDC
- 12vDC Amps: 1.3A
- 24vDC Amps: 600mA
- Correlated Color Temperature: 5000
- Color Rendering Index: 70+
- Rated Watts: 16
- Lumens (White): 610
- Operating Temp (°C): -35 to +55 C
- Operating Temp (°F): -31 to + 131 F
- IP67 Compliant
- Certified Ignition Protected



Dimensions: 4.94in (12.56cm) (W) x 1.75in (4.44cm) (H) x 1.57in (3.98cm) (D)



www.lumiteclighting.com | Phone: (561) 272-9840 | info@lumiteclighting.com



ISO LUX PLOT  
Product Name: Caprera 2  
Date Tested: 20140530

Max Lux at 10': 102 lx

Target Distance: 10'  
Grid Spacing: 2'

- 90% - 100%
- 80% - 89%
- 70% - 79%
- 60% - 69%
- 50% - 59%
- 40% - 49%
- 30% - 39%
- 20% - 29%
- 10% - 19%

