

Fig. #3a SUPPORT BRACKET OPTION FOR 12 and 20 GALLON WATER HEATER

Materials: 1" (2.5cm) full cut wood for (4) sides of frame; top is made of 3/4" (1.9cm) marine plywood.
All parts are screwed together.

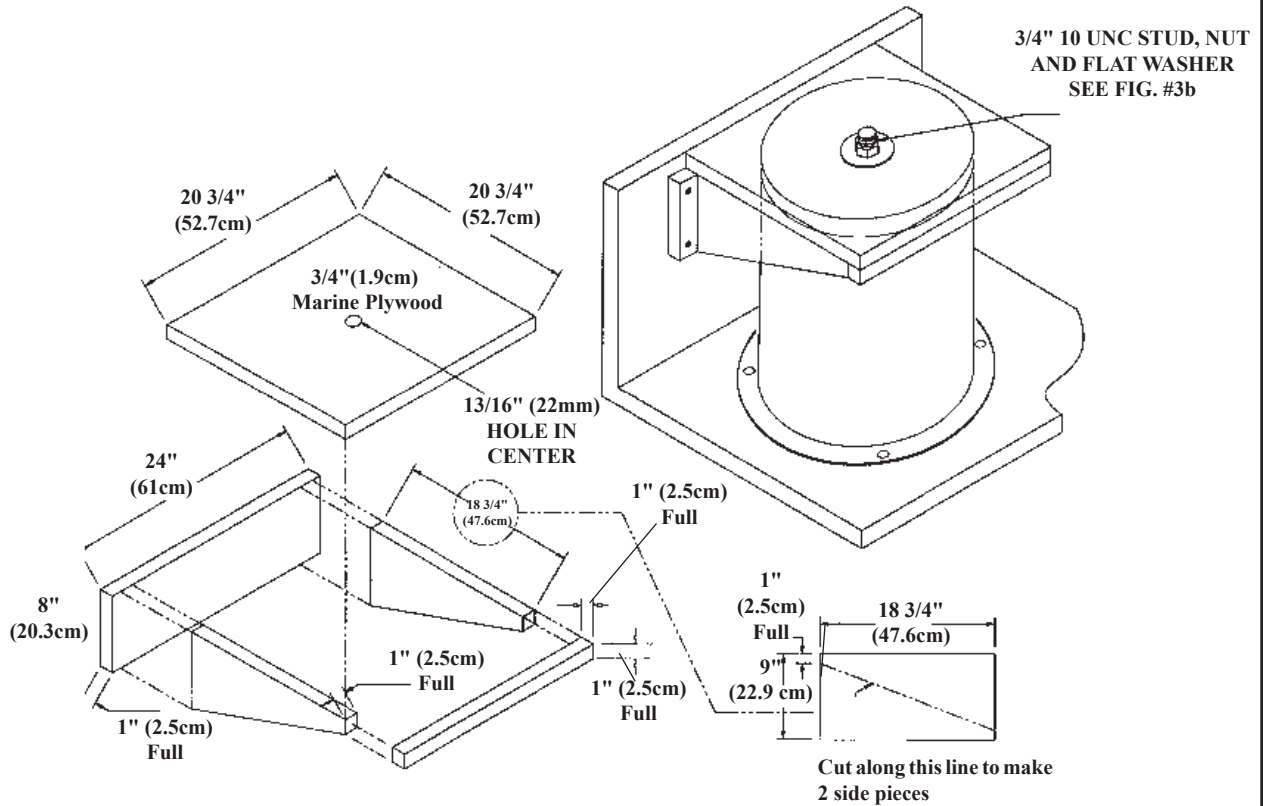
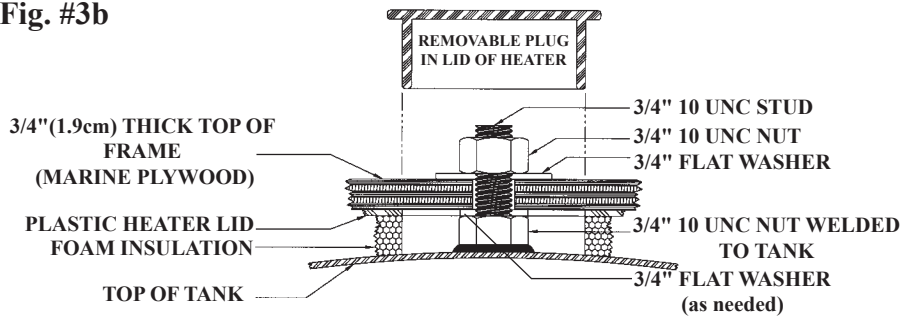


Fig. #3b



SERVICE AND REPLACEMENT PARTS

Replacement parts may be ordered through your local Raritan dealer or directly from the factory. Some parts may be ordered at www.raritaneng.com. When ordering please state part number, description and quantity required. With some parts you may need to know voltage. Questions or problems may be referred to Raritan's Technical Support. Our Technical Support also operates a factory repair and overhaul shop at both branches, call for details.

PART NUMBERS

- WH1A-S* Heating Element 120V (screw-in) with gasket
- WH1B-S* Heating Element 240V (screw-in) with gasket
- WH1D-S Heating Element, 4500 watt/240V (screw-in) with Gasket
- WH1GS Heating Element Gasket
- WH3* Temperature and Pressure Relief Valve
- WH16* Thermostat
- 1790610 Anode 6 gallon
- 1790010 Anode 12 and 20 gallon

* Parts may be ordered at www.raritaneng.com.