

2

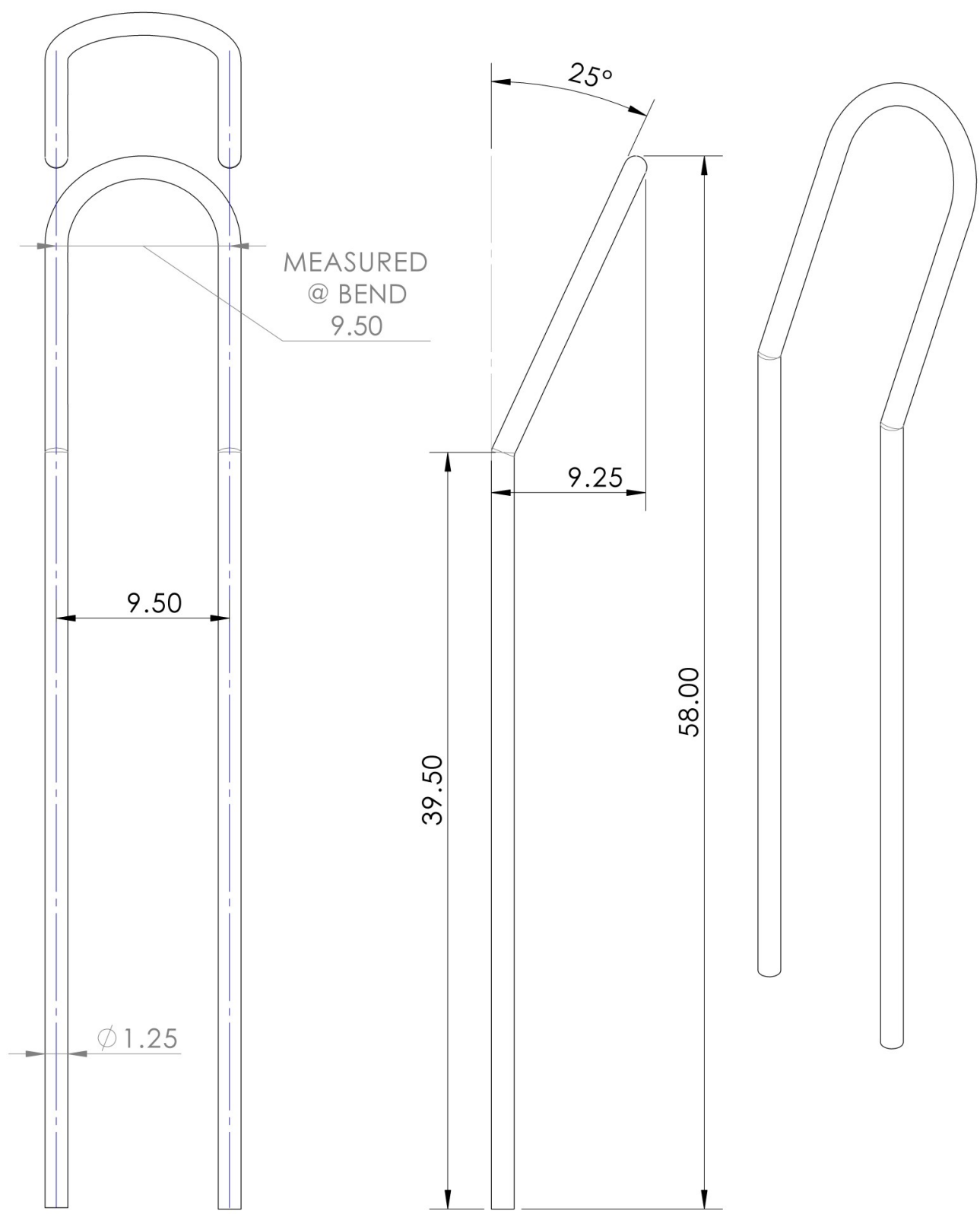
1

B

B

A

A



PROPRIETARY AND CONFIDENTIAL
 THE INFORMATION CONTAINED IN THIS DRAWING IS THE SOLE PROPERTY OF <COMPANY NAME>. ANY REPRODUCTION IN PART OR AS A WHOLE WITHOUT THE WRITTEN PERMISSION OF <COMPANY NAME> IS PROHIBITED.

		DIMENSIONS ARE IN INCHES TOLERANCES: FRACTIONAL ± 1/8" ANGULAR: MACH ± 1° BEND ± 1° TWO PLACE DECIMAL ± 0.13 THREE PLACE DECIMAL ± 0.125	
		MATERIAL STAINLESS STEEL TUBE	
NEXT ASSY	USED ON	FINISH MIRROR POLISH	
APPLICATION		DO NOT SCALE DRAWING	

NAME	DATE
DRAWN MDJ	8/21/2018
CHECKED	
ENG APPR.	
MFG APPR.	
Q.A.	
COMMENTS:	

OCEAN EQUIPMENT

AG118
 AngleGuard 9.5" Wide 1.25" Single Bend
 for all SailPods and SystemPods

SIZE A	DWG. NO. AG118	REV.
SCALE: 1:16	WEIGHT:	SHEET 1 OF 1

2

1