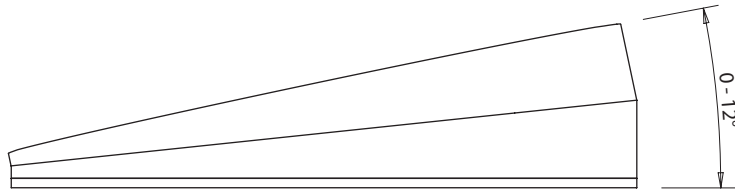
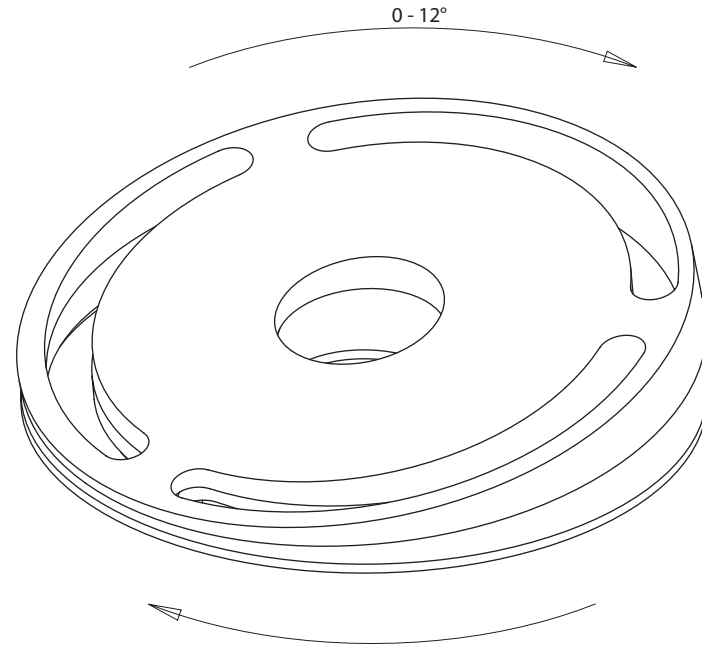
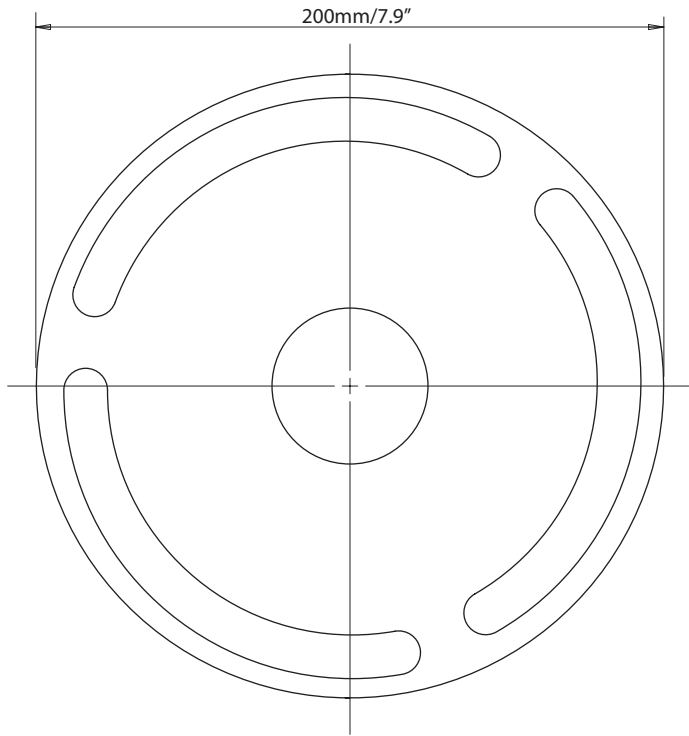


Adjustable Base Wedge for Satcom Mount - SC50

For help & information
email: technical@scanstrut.com
tel: +44 (0) 1803 863800



Use with SC35, SC45/45R and SC65 only

