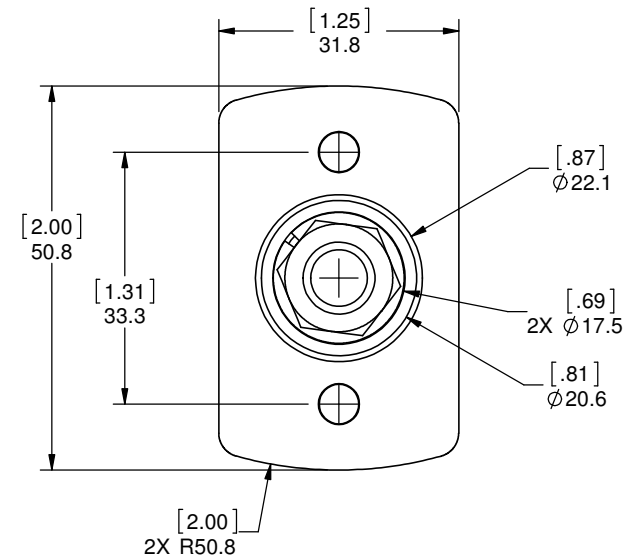
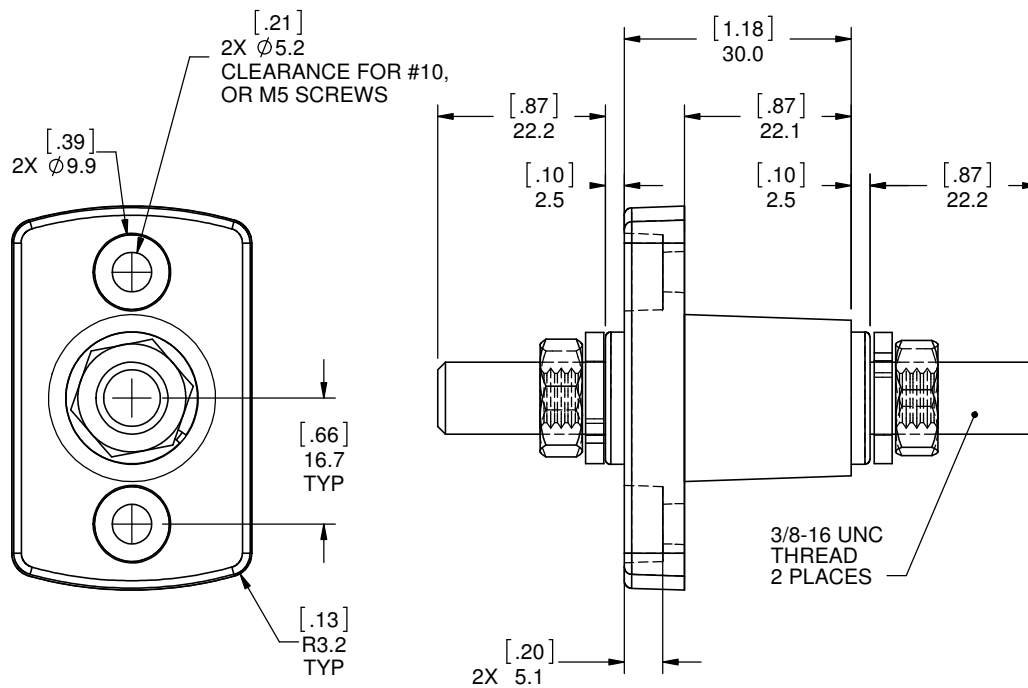
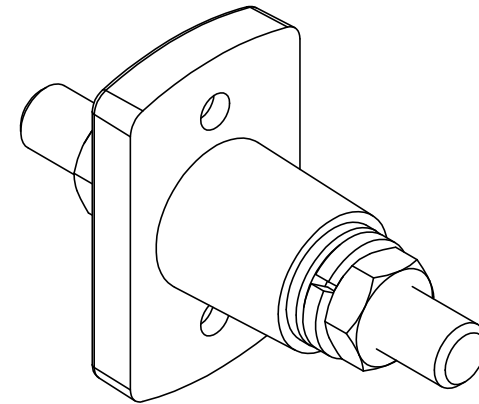


THIS DRAWING AND THE INFORMATION CONTAINED WITHIN IT ARE CONFIDENTIAL AND MAY NOT BE COPIED OR DISCLOSED WITHOUT THE WRITTEN PERMISSION OF BLUE SEA SYSTEMS.

REVISIONS				
ZONE	REV.	DESCRIPTION	DATE	APPROVED



DIMENSIONS ARE SHOWN IN INCHES AND [MILLIMETERS]. UNSPECIFIED TOLERANCES ARE:

ANGLES	INCH	MM
±0°30'	.0000±.002	.000±.051
	.000±.005	.00±.127
	.00±.010	.0±.254

MATERIAL ZYTEL PA66 FR50NC010 / TIN PLATED BRASS

FINISH --

DO NOT SCALE DRAWING

	NAME	DATE
DRAWN	T.DYKAS	2011.12.16
CHECKED	-	-
-	-	-
-	-	-
-	-	-

COMMENTS: -

BLUE SEA SYSTEMS

425 Sequoia Drive Bellingham, WA 98226
Phone (360)738-8230 Fax (360)734-4195

Feed Through Connector - Small Customer Drawing

Part Number:2203 (BLACK) / 2204 (RED)

SIZE	DWG. NO.	REV.
A	2203-2204 - Feed Thru Connector	1

SCALE	WEIGHT:	SHEET
1:1		1 OF 2

THIRD ANGLE PROJECTION

