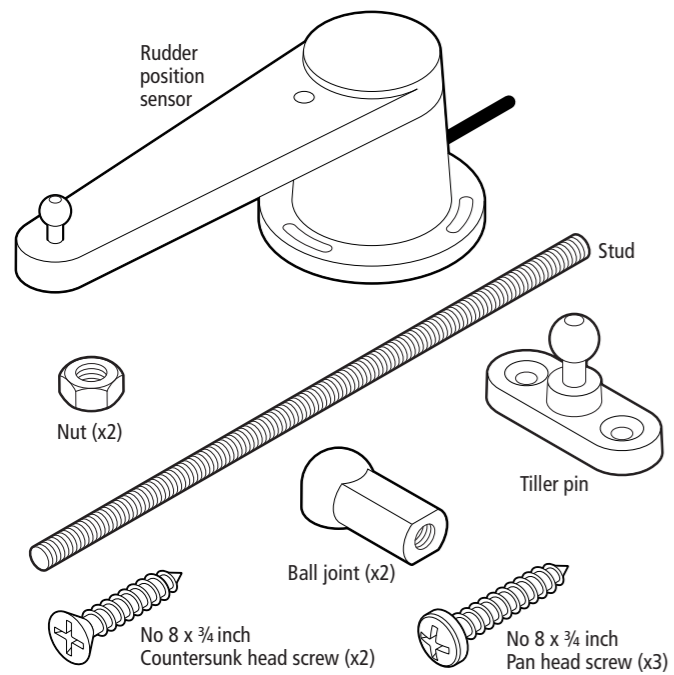
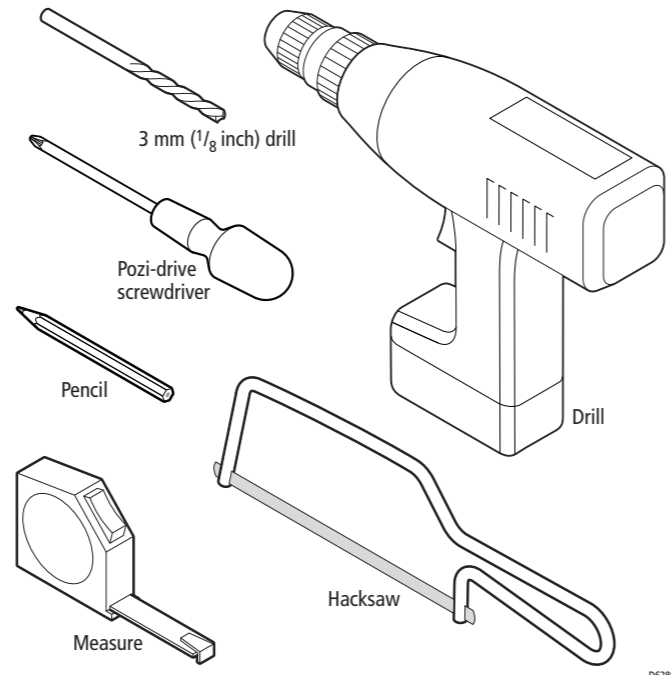


RUDDER POSITION SENSOR INSTALLATION GUIDE

Parts Supplied

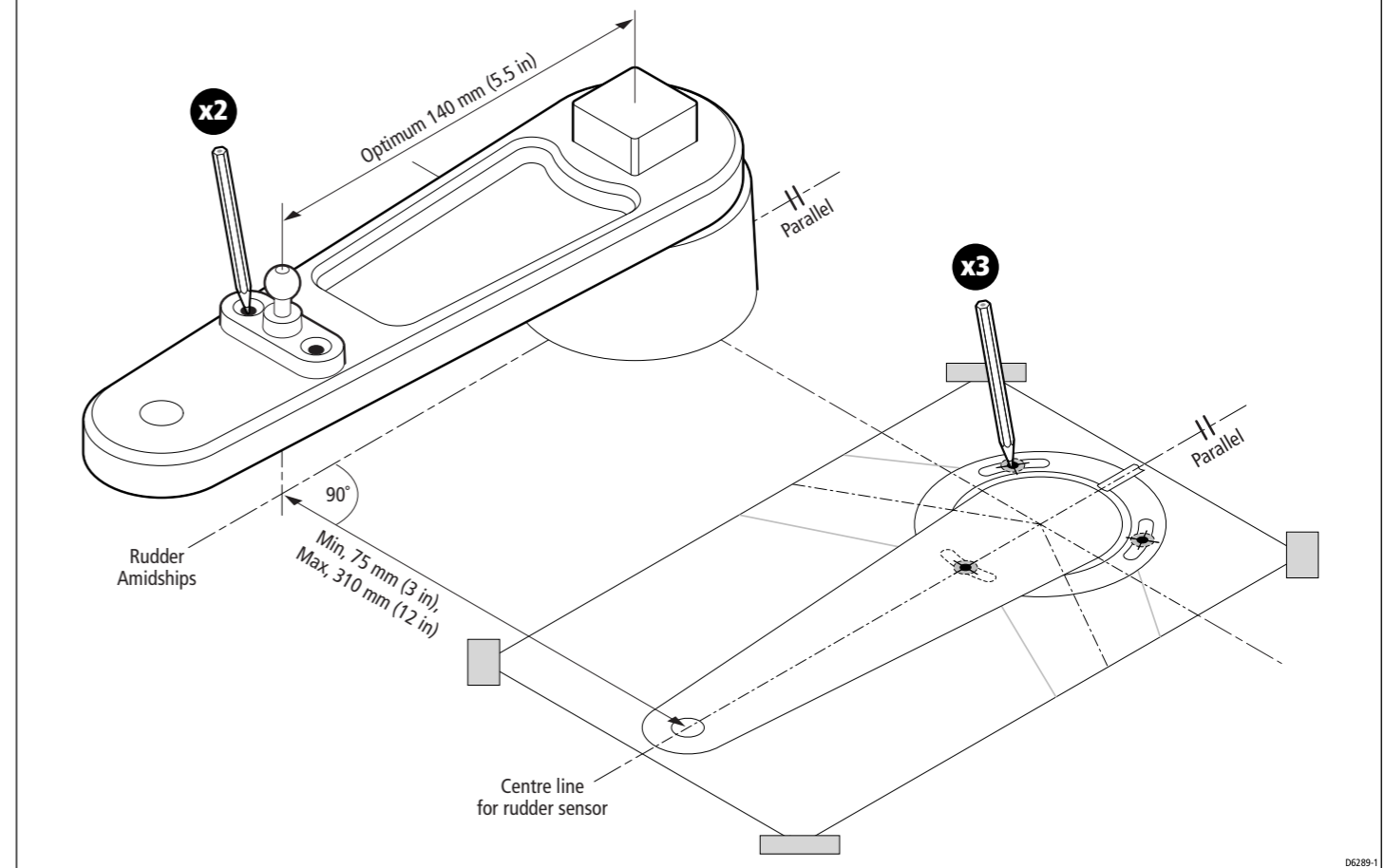


Tools Required



87012-3

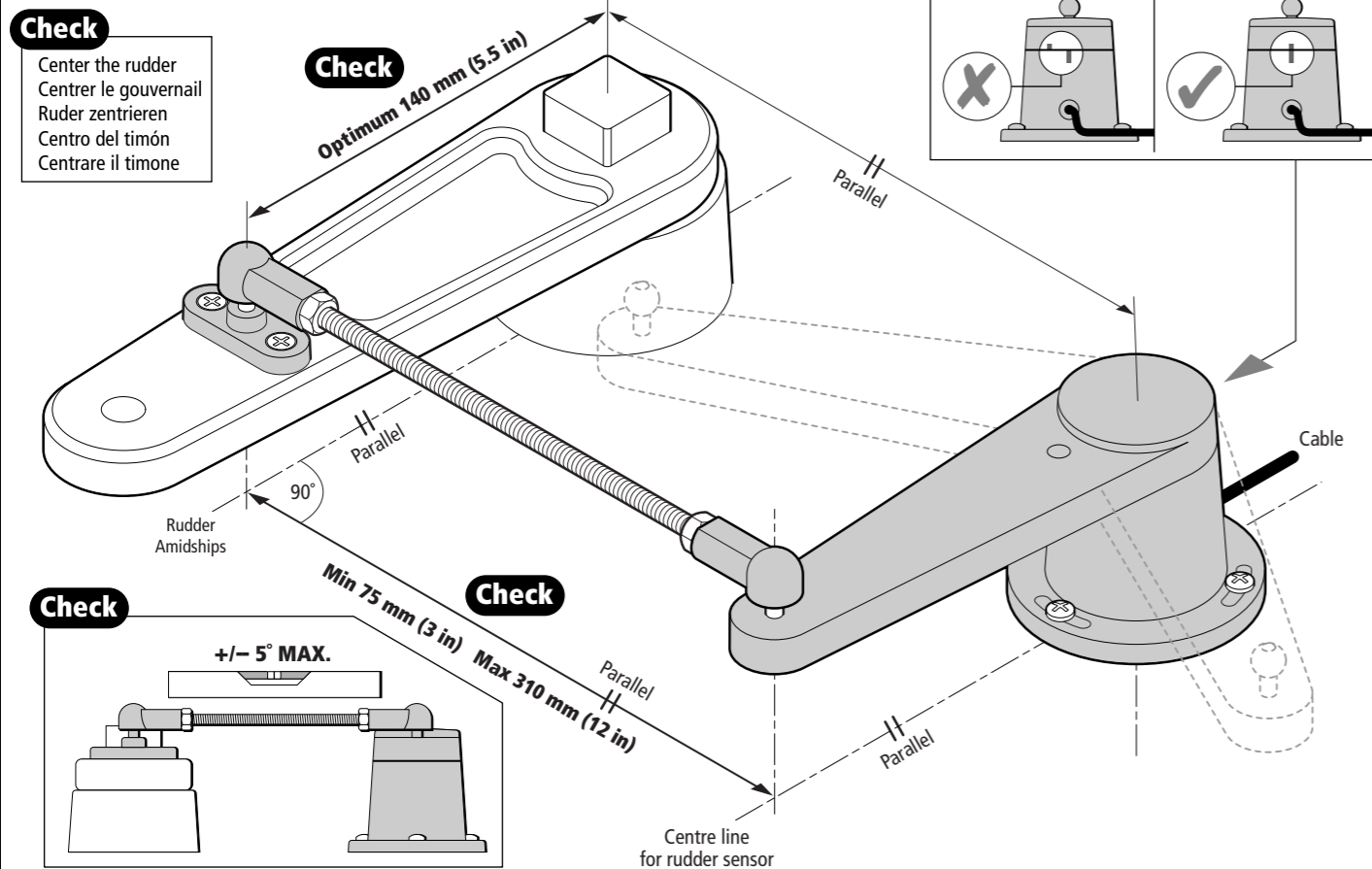
2.



D6289-1

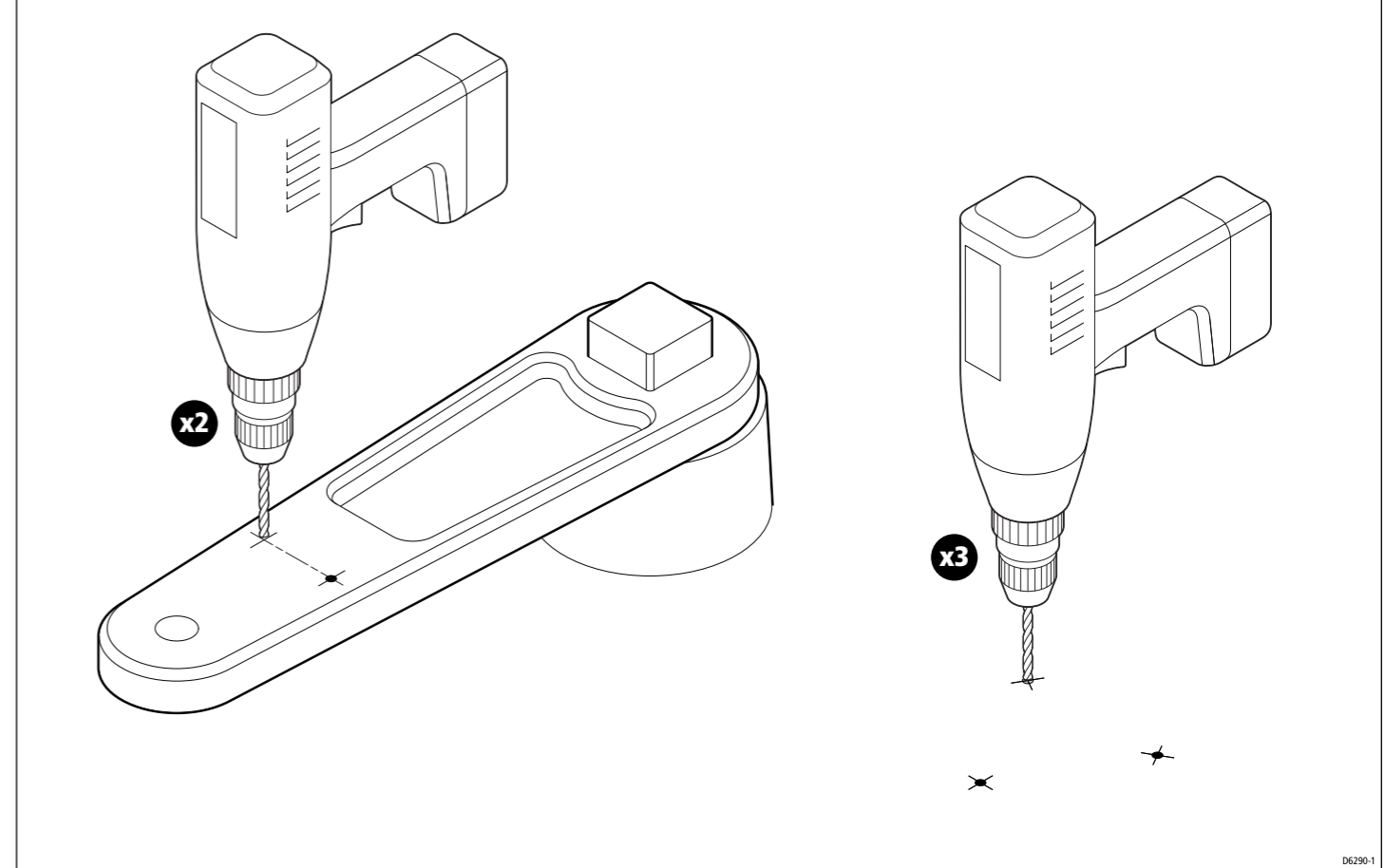
TEMPLATE OTHER SIDE

1. Installation Checks



D6288-1

3.



D6290-1

