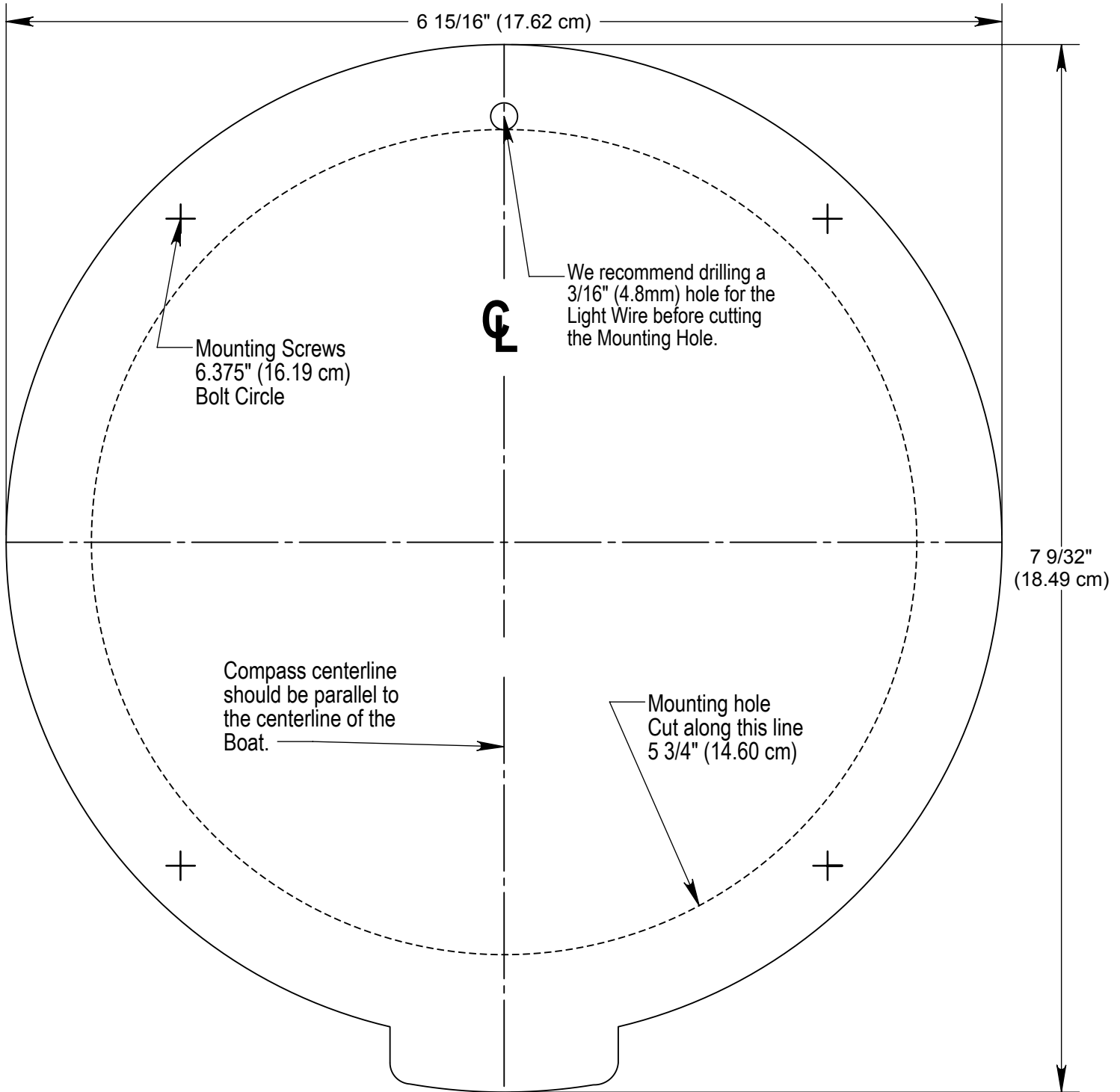


If mounting this Compass to a bulkhead that is NOT perpendicular (90° angle) to the centerline of the boat and/or NOT vertical (90° angle) to the waterline of the boat (boat on level keel), a fairing block MUST be used to make the compass so.

Forward
(Bow)



RITCHIE®

Mounting Template for
the BN-202

Part # NV-0074
Rev C 6/10